



IWR Double Expansion Spring

Description

IWR Double Expansion Springs are used with strapping to accommodate expansion and contraction of large diameter insulated piping, tanks, vessels and equipment. IWR IWR double expansion springs can be used with strapping up to a width of 3/4" and a thickness of 0.5mm and 0.6mm.

Available material

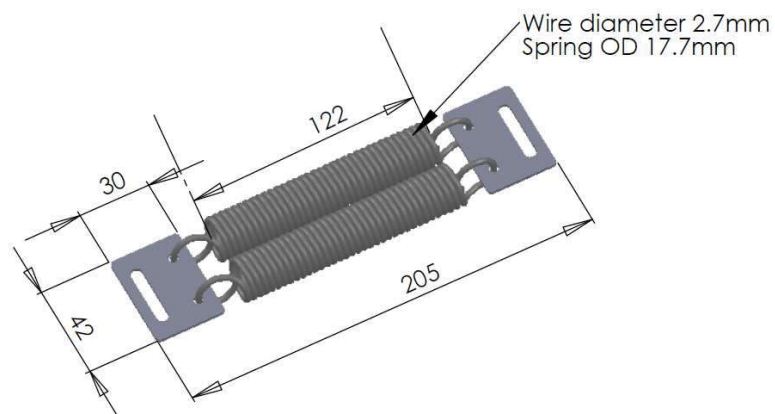
Material quality : AISI304 (spring is AISI302 series)
 : AISI316

Packing

25 pcs per carton.

Installation

Lace the slots of the IWR Double Expansion Springs with stainless steel banding and close with crimp type seals. To accommodate expected expansion of the object, the number of IWR Double Expansion Springs to be installed is based on a maximum extension of 50mm (2") per IWR Double Expansion Spring. Install one IWR Double Expansion Spring for every 7.5 meters of banding or less. When tensioning the banding, extend each IWR Double Expansion Spring for a total of 10mm, leaving 40mm for extension as a result of expansion of equipment. When equipment diameter is expected to shrink, reverse these figures. Assure that spring compression and strapping stresses are evenly distributed around the object.



IMPORTANT: Insu-W-Rapid BV warrants that each of its products will be manufactured in accordance with the specifications in effect on the date of manufacture. We make no other warranties and expressly disclaim any warranties of merchantability or fitness for a particular purpose. If a product fails to meet this limited warranty, purchaser's sole and exclusive remedy is replacement of the product or, at our option, refund of the purchase price. No guarantees for completeness, accuracy or results is expressed nor implied. The suitability of the product to an intended use is the sole responsibility of the user. Since material choice and application method are beyond our control, we accept no liability for direct or consequential damages.

Datasheet "Double Expansion Spring" – April 2016 – V1.1